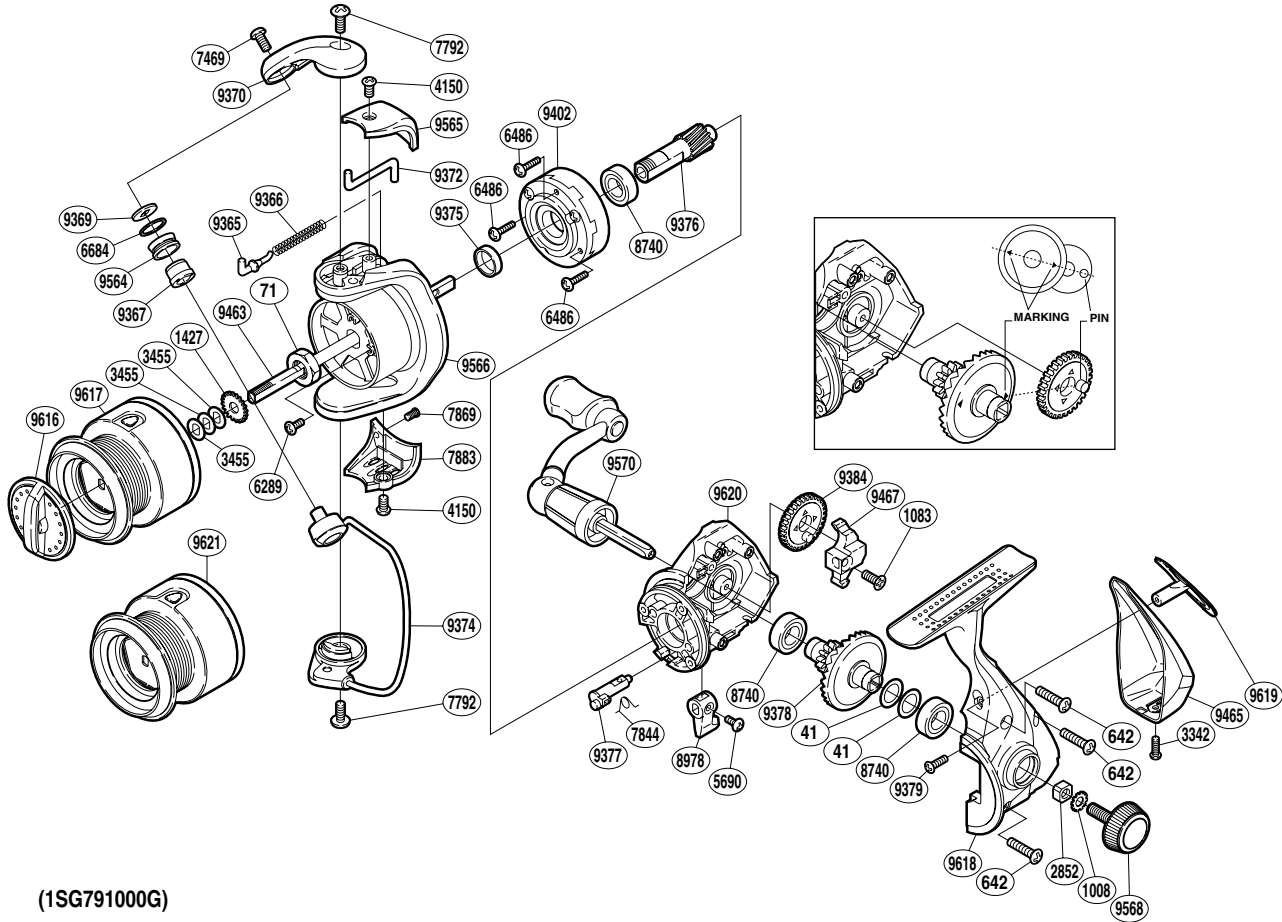


SHIMANO®

EXAGE A-RB

EXG-1000FA



(1SG791000G)

Part No.	Description	Part No.	Description	Part No.	Description
RD 0041	Washer	RD 7869	Screw	RD 9402	Roller Clutch Assembly
RD 0071	Rotor Nut	RD 7883	Bail Hold Support Guard	RD 9463	Main Shaft
RD 0642	Screw	RD 8740	Ball Bearing	RD 9465	Rear Protector B
RD 1008	Handle Lock Washer	RD 8978	Anti-Reverse Lever	RD 9467	Oscillating Slider
RD 1083	Screw	RD 9365	Bail Spring Guide	RD 9564	Line Roller
RD 1427	Spool Support	RD 9366	Bail Spring	RD 9565	Bail Spring Cover
RD 2852	Handle Screw Lock	RD 9367	Line Roller Bushing	RD 9566	Rotor
RD 3342	Screw	RD 9369	Line Roller Washer	RD 9568	Handle Screw Cap
RD 3455	Spool Washer	RD 9370	Bail Arm	RD 9570	Handle Assembly
RD 4150	Screw	RD 9372	Bail Trip Lever	RD 9616	Drag Knob
RD 5690	Screw	RD 9374	Bail Assembly	RD 9617	Spool Assembly
RD 6289	Screw	RD 9375	Rotor Ring	RD 9618	Side Cover
RD 6486	Screw	RD 9376	Pinion Gear	RD 9619	Rear Protector A
RD 6684	Line Roller Spacer	RD 9377	Anti-Reverse Cam	RD 9620	Body
RD 7469	Screw	RD 9378	Drive Gear		
RD 7792	Screw	RD 9379	Screw		
RD 7844	Anti-Reverse Cam Spring	RD 9384	Oscillating Gear	RD 9621	Spare Spool Assembly