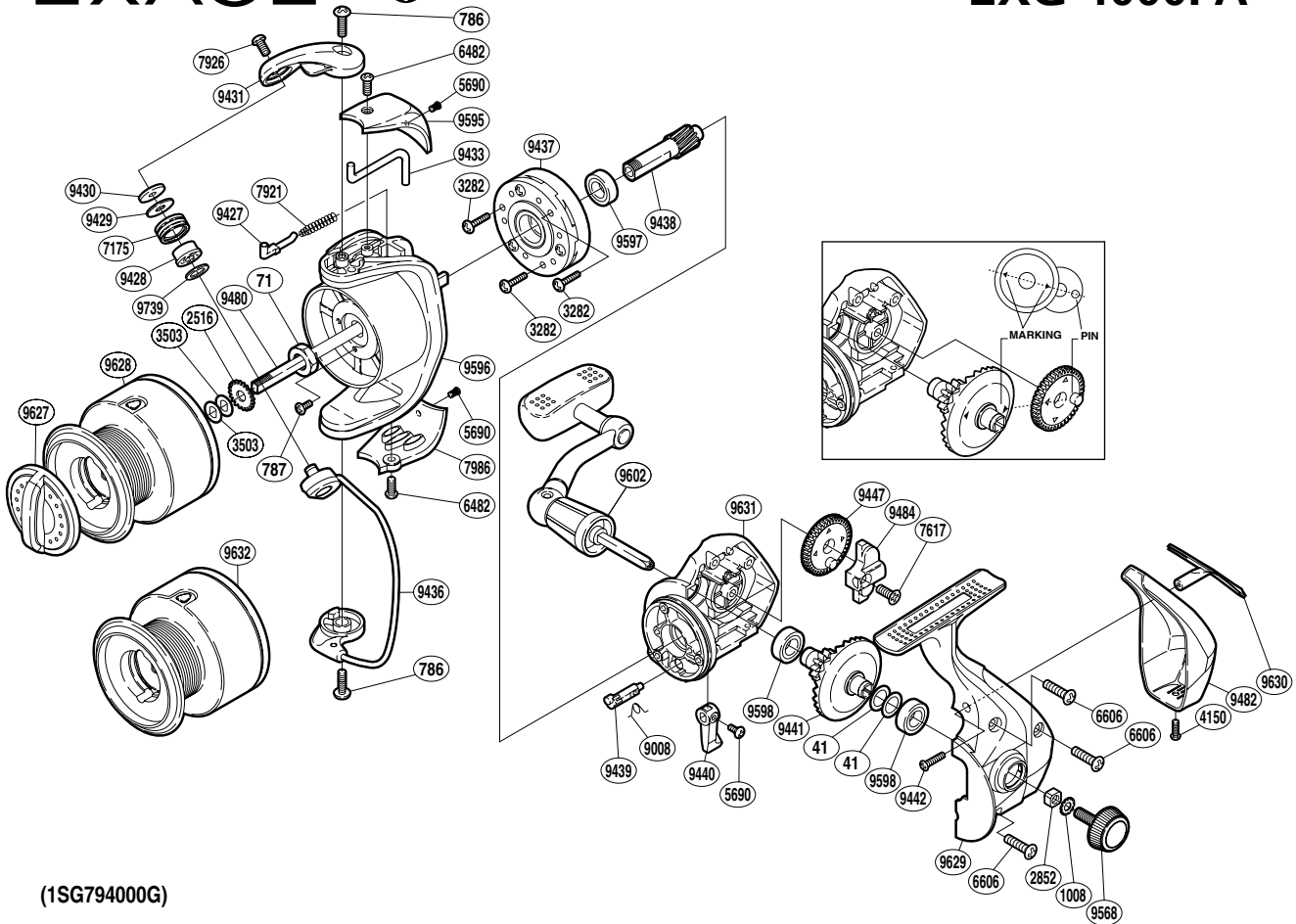


SHIMANO®

EXAGE A-RB

EXG-4000FA



(1SG794000G)

Part No.	Description	Part No.	Description	Part No.	Description
RD 0041	Washer	RD 7986	Bail Hold Support Guard	RD 9482	Rear Protector B
RD 0071	Rotor Nut	RD 9008	Anti-Reverse Cam Spring	RD 9484	Oscillating Slider
RD 0786	Screw	RD 9427	Bail Spring Guide	RD 9568	Handle Screw Cap
RD 0787	Screw	RD 9428	Line Roller Bushing	RD 9595	Bail Spring Cover
RD 1008	Handle Lock Washer	RD 9429	Line Roller Spacer	RD 9596	Rotor
RD 2516	Spool Support	RD 9430	Line Roller Washer	RD 9597	Ball Bearing
RD 2852	Handle Screw Lock	RD 9431	Bail Arm	RD 9598	Ball Bearing
RD 3282	Screw	RD 9433	Bail Trip Lever	RD 9602	Handle Assembly
RD 3503	Spool Washer	RD 9436	Bail Assembly	RD 9627	Drag Knob
RD 4150	Screw	RD 9437	Roller Clutch Assembly	RD 9628	Spool Assembly
RD 5690	Screw	RD 9438	Pinion Gear	RD 9629	Side Cover
RD 6482	Screw	RD 9439	Anti-Reverse Cam	RD 9630	Rear Protector A
RD 6606	Screw	RD 9440	Anti-Reverse Lever	RD 9631	Body
RD 7175	Line Roller	RD 9441	Drive Gear	RD 9739	Bearing Spacer
RD 7617	Screw	RD 9442	Screw		
RD 7921	Bail Spring	RD 9447	Oscillating Gear		
RD 7926	Screw	RD 9480	Main Shaft	RD 9632	Spare Spool Assembly