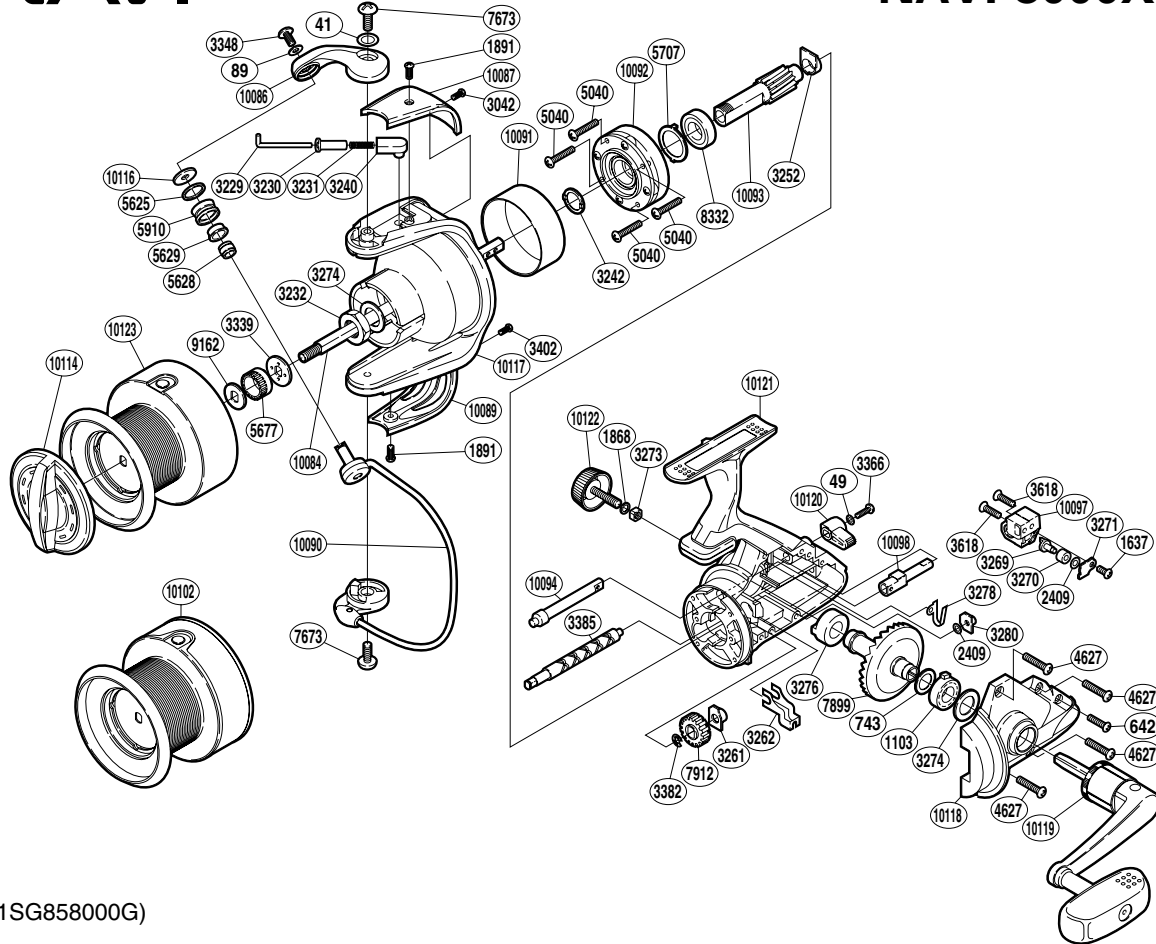


SHIMANO®

NAVI



NAVI-8000XSA



(1SG858000G)

Part No.	Description	Part No.	Description	Part No.	Description
RD 0041	Washer	RD 3274	Spacer	RD 9162	Spool washer
RD 0049	Lock Washer	RD 3276	Drive Gear Bushing	RD10084	Main Shaft
RD 0089	Lock Washer	RD 3278	Anti-Reverse Cam Spring	RD10086	Bail Arm
RD 0642	Screw	RD 3280	Worm Bushing (rear)	RD10087	Bail Spring Cover
RD 0743	Washer	RD 3339	Spool Support B	RD10089	Bail Hold Support Guard
RD 1103	Bushing	RD 3348	Screw	RD10090	Bail Assembly
RD 1637	Screw	RD 3366	Screw	RD10091	Roller Clutch Ring
RD 1868	Handle Lock Washer	RD 3382	E Lock	RD10092	Roller Clutch Assembly
RD 1891	Screw	RD 3385	Worm Shaft	RD10093	Pinion Gear
RD 2409	Spacer	RD 3402	Screw	RD10094	Anti-Reverse Cam
RD 3229	Bail Spring Guide A	RD 3618	Screw	RD10097	Oscillating Slider
RD 3230	Bail Spring Bushing	RD 4627	Screw	RD10098	Anti-Reverse Lever Shaft
RD 3231	Bail Spring	RD 5040	Screw	RD10114	Drag Knob
RD 3232	Rotor Nut	RD 5625	Line Roller Spacer	RD10116	Line Roller Washer
RD 3240	Bail Spring Guide B	RD 5628	Line Roller Collar	RD10117	Rotor
RD 3242	Rotor Washer	RD 5629	Line Roller Bushing	RD10118	Side Cover
RD 3252	Bushing	RD 5677	Spool Support A	RD10119	Handle Assembly
RD 3261	Worm Bushing (front)	RD 5707	Bearing Washer	RD10120	Anti-Reverse Lever
RD 3262	Worm Shaft Retainer	RD 5910	Line Roller	RD10121	Body
RD 3269	Oscillating Pawl	RD 7673	Screw	RD10122	Handle Screw Cap
RD 3270	Oscillating Slider Bushing	RD 7899	Drive Gear	RD10123	Spool Assembly
RD 3271	Oscillating Pawl Cover	RD 7912	Idle Gear		
RD 3273	Handle Screw Lock	RD 8332	Ball Bearing	RD10102	Spare Spool Assembly